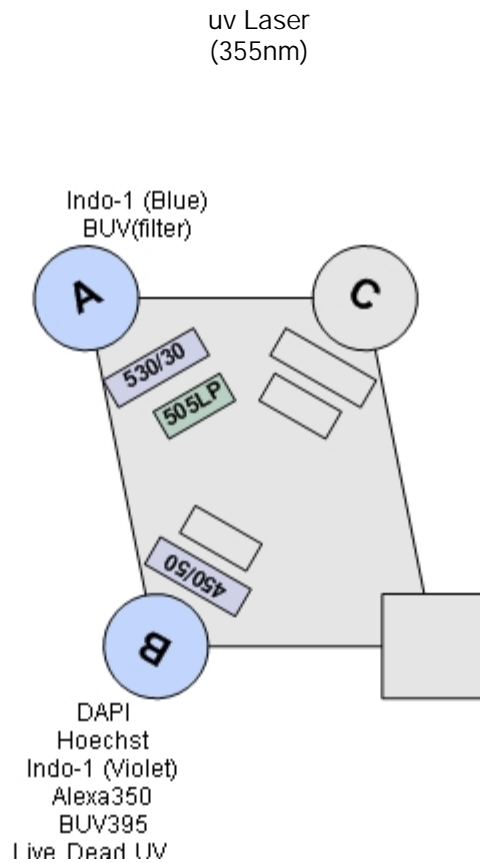
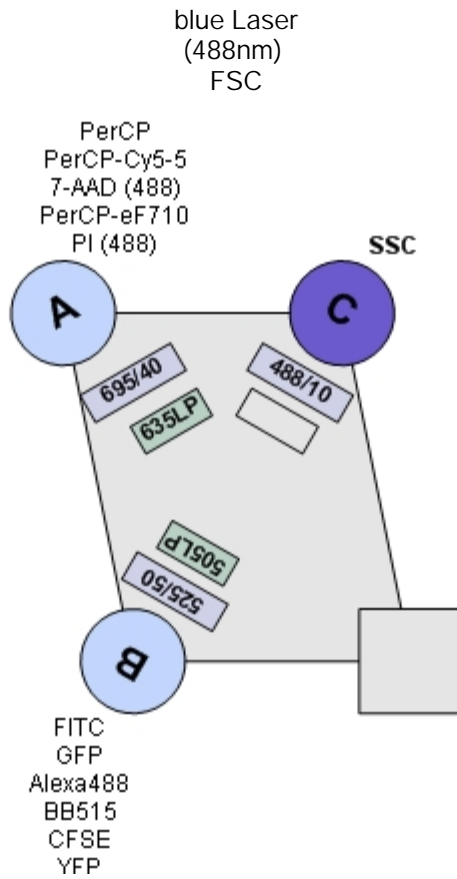


# 110216 LSR II-C 3B-4V-2UV-3R-3YG

Cytometer: LSR II  
 Cytometer Name: LSR II  
 Serial Number: 1  
 Input Device: Manual  
 Window Extension: 10.00

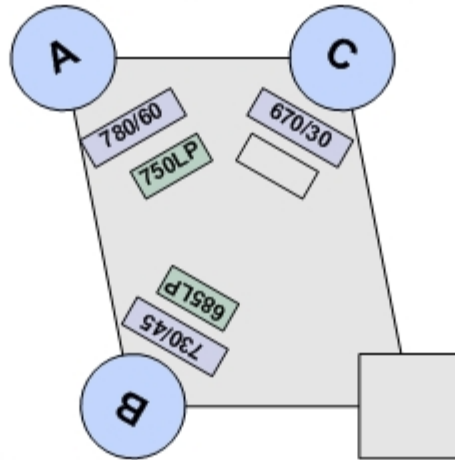
User: EvanJellison  
 Institution: UCHC  
 Software: BD FACSDiva 8.0.1  
 Date: 5/2/2017 5:13:00 PM



red Laser  
(640nm)

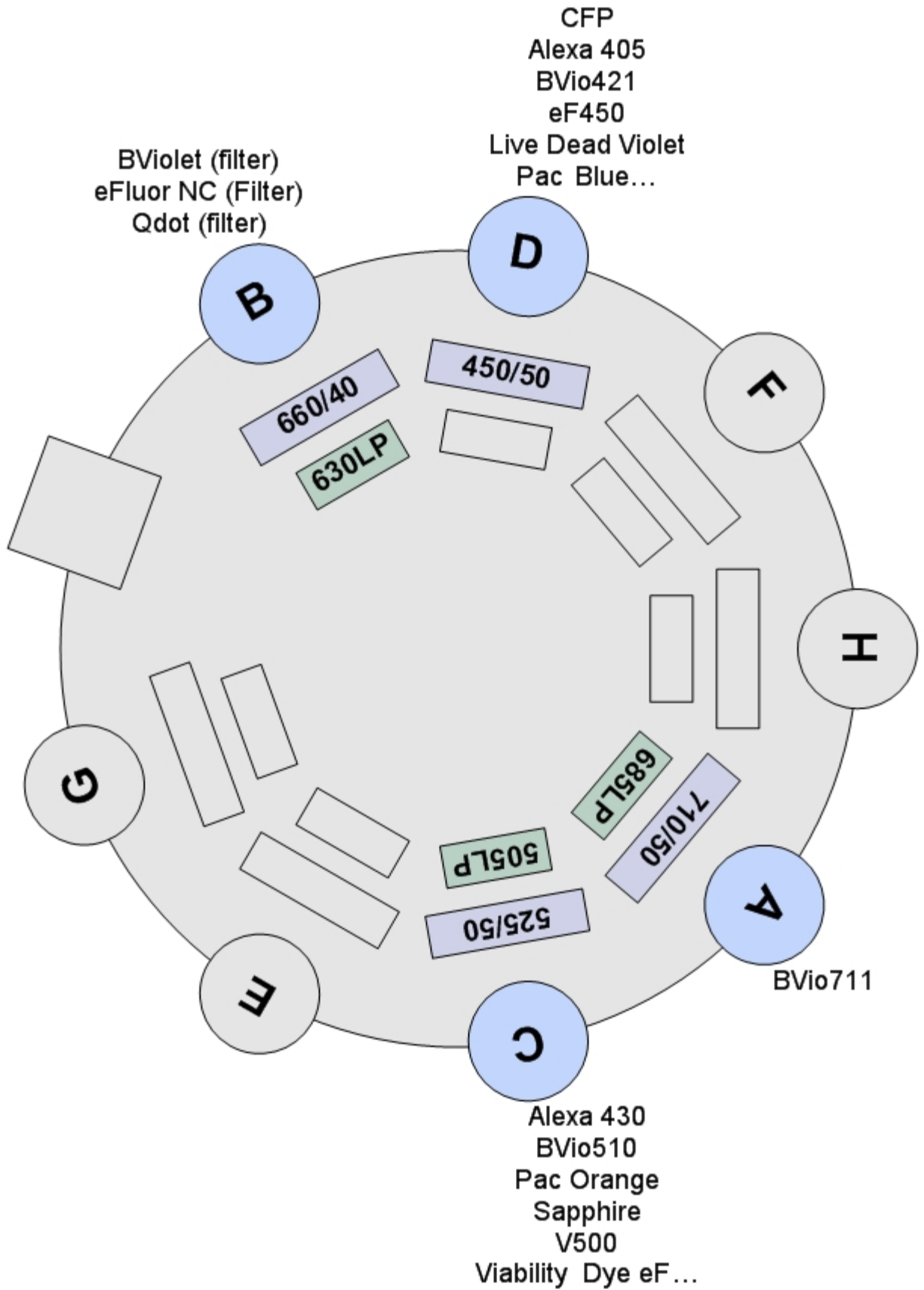
APC-Cy7  
APC-H7  
APC-Alexa750  
APC-eF780  
APC-Fire750  
APC-Vio770...

APC  
Alexa647  
Cy5  
eF680  
Live Dead Far  
Red

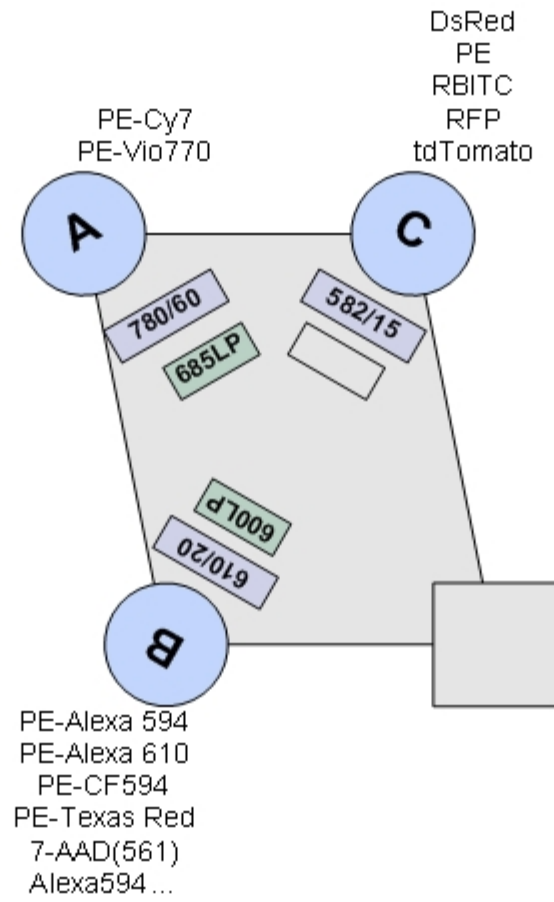


Alexa Fluor 680  
Alexa Fluor 700  
APC-Alexa 680  
APC-Alexa 700  
APC-R700

violet Laser  
(407nm)



yellow green Laser  
(561nm)



Comments:

made on June 17, 2013