

# 070112 LSR II-B 3B-2UV-6V-3R-5YG

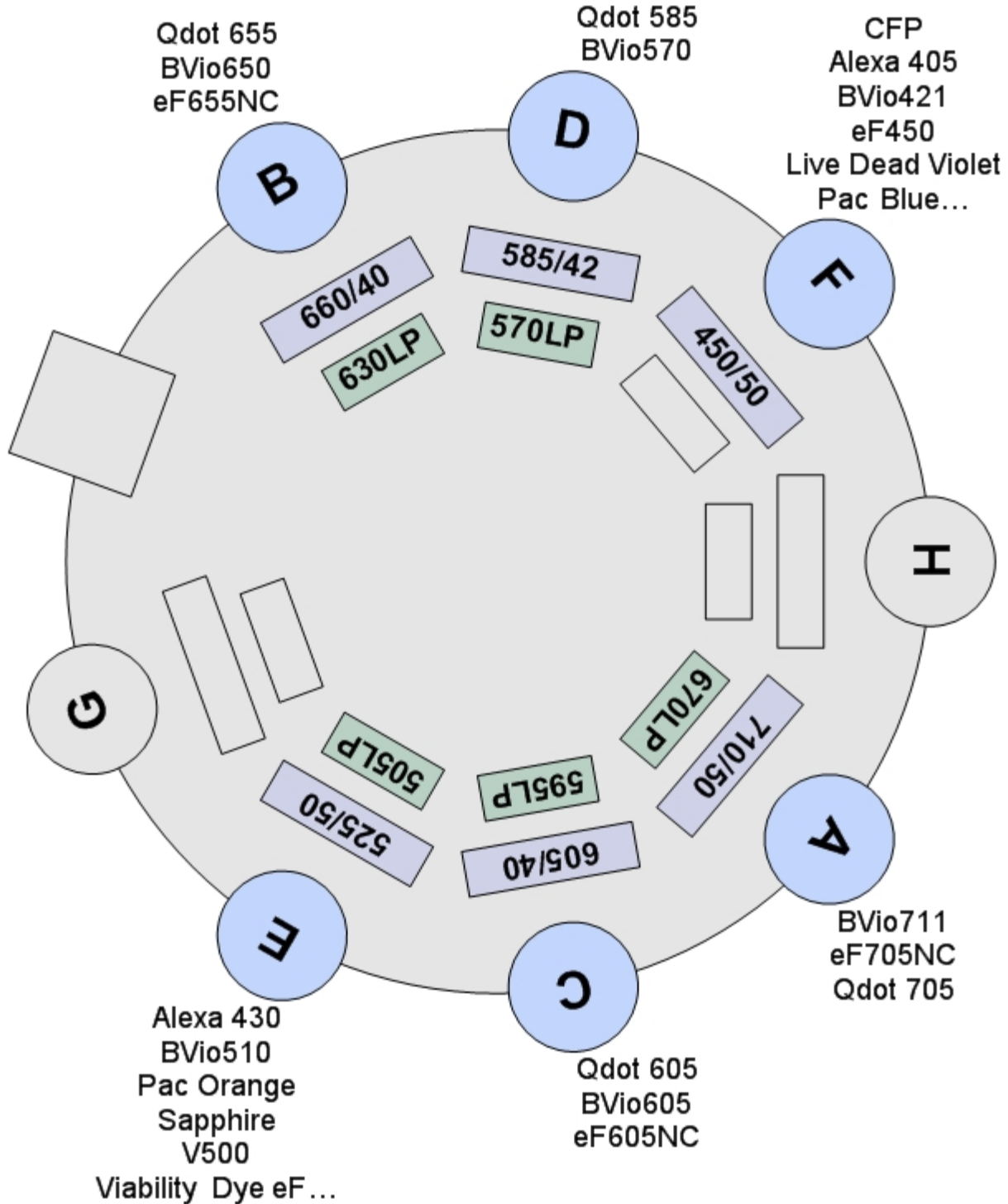
Cytometer:  
Cytometer Name:  
Serial Number:  
Input Device:  
Window Extension:

LSR II  
LSR II  
H47100049  
Manual  
10.00

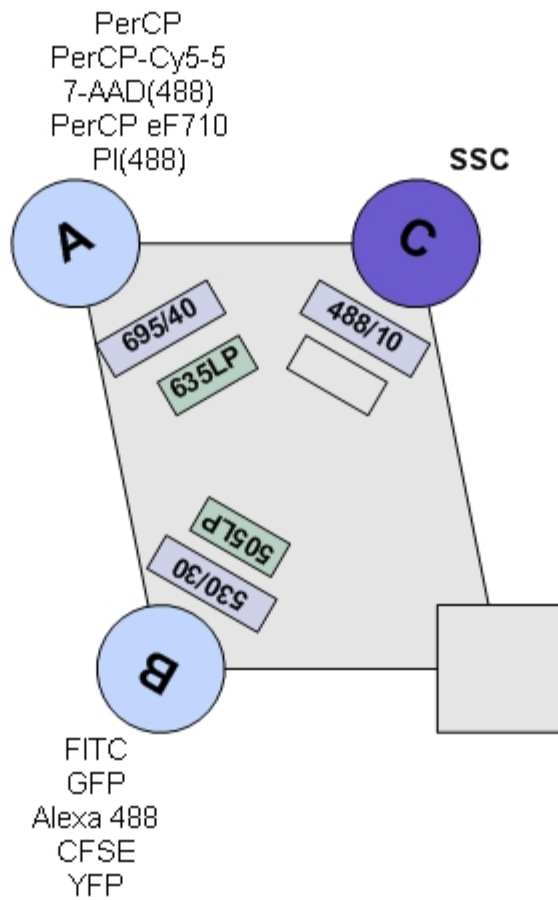
User:  
Institution:  
Software:  
Date:

EvanJellison  
UCHC  
BD FACSDiva 6.1.1  
7/6/2012 10:35:23 AM

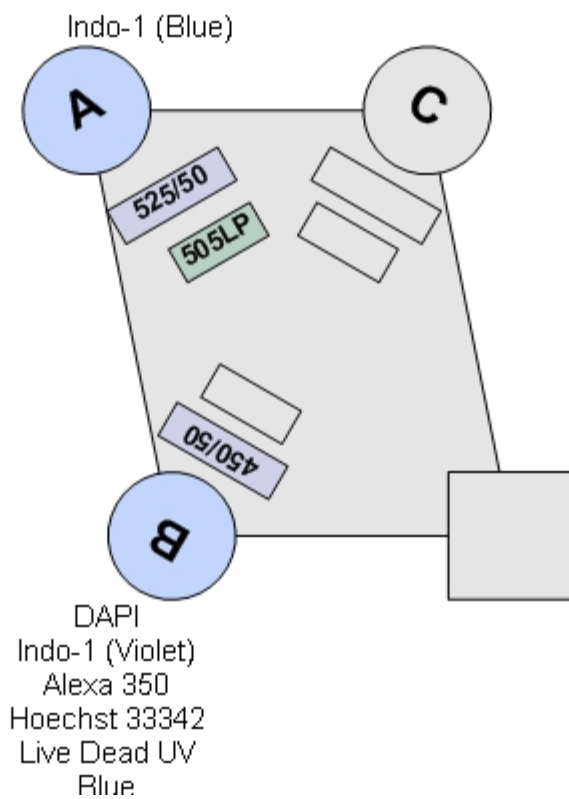
VIOLET Laser  
(405nm)

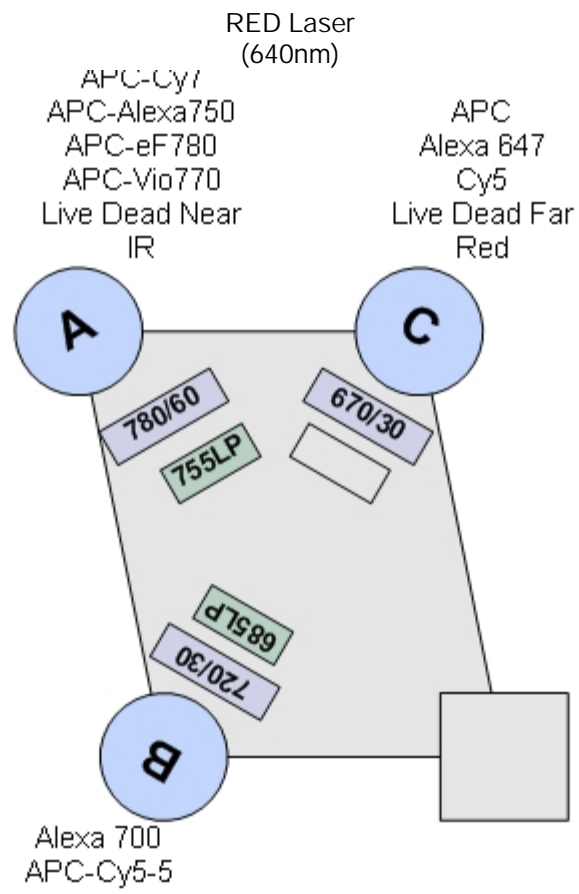


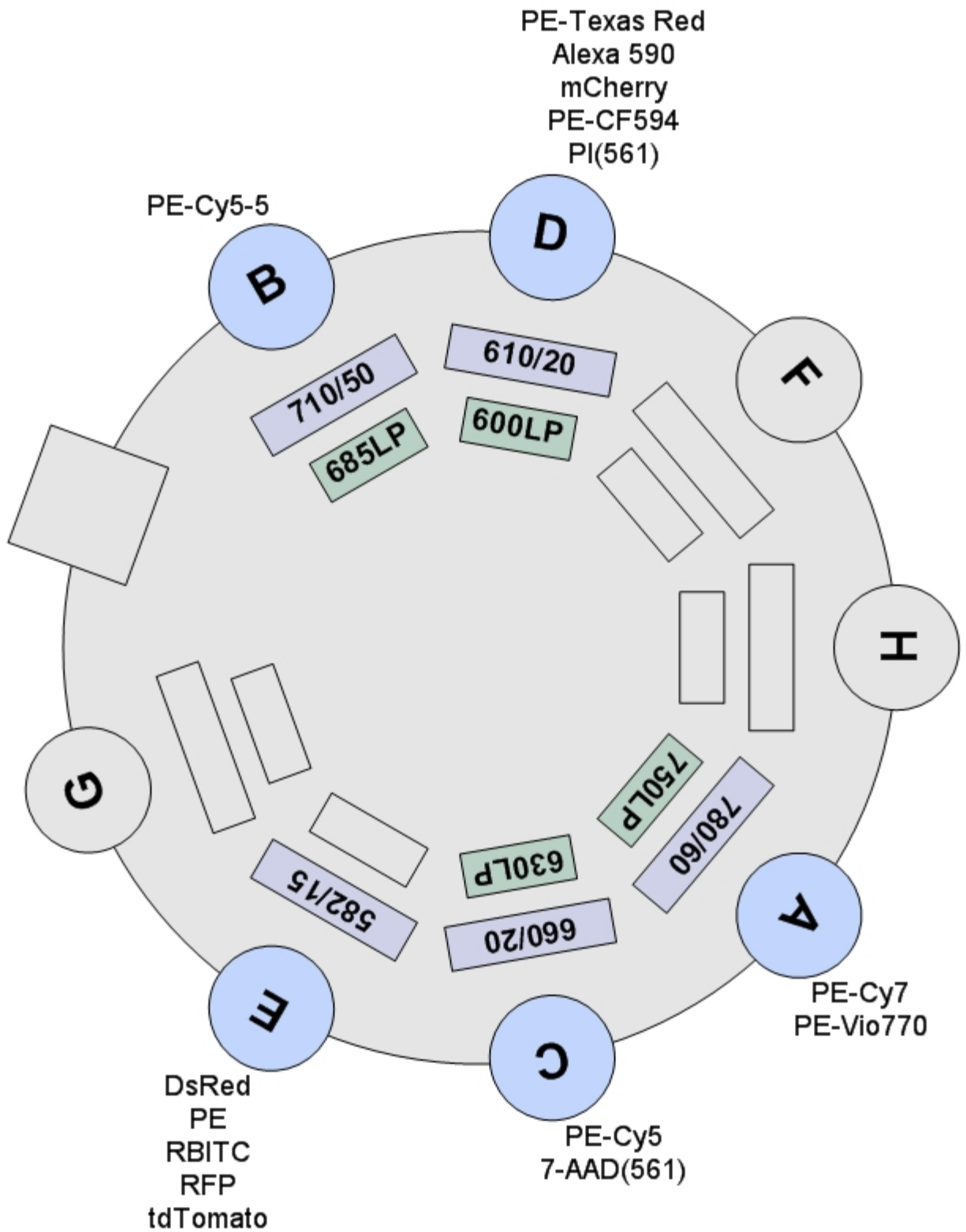
BLUE Laser  
(488nm)  
SSC



UV Laser  
(355nm)







Comments:

Standardized Fluorochrome Names

Blue A changed to 695/40 635LP